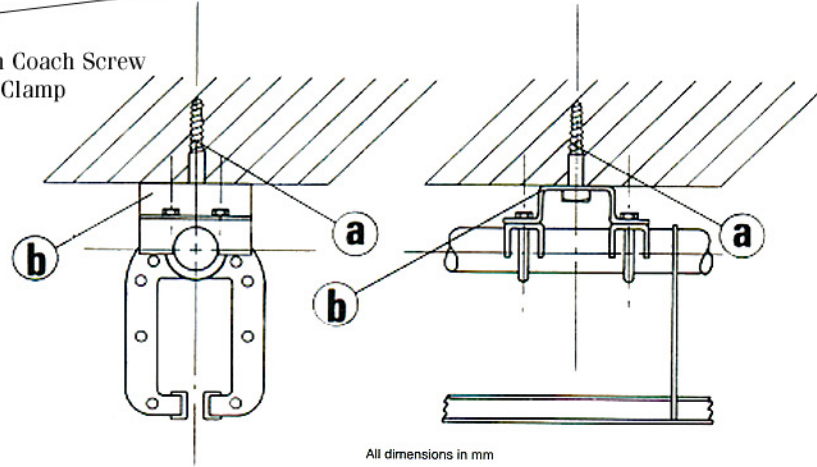
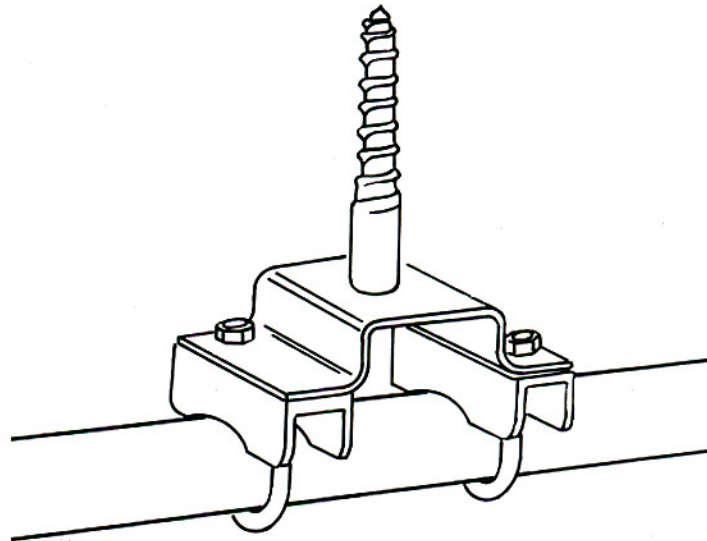


## T60 Universal Clamp

- a) 10mm x 50mm Coach Screw
- b) T60 Universal Clamp



All dimensions in mm



The T60 Universal Clamp is used to suspend track for direct fixing to a soffit, timber joist or ceiling via a 10mm Coach Screw or M10 Rawl Bolt, or will accept an M10 stud for connection to most other T60 fixing units.

