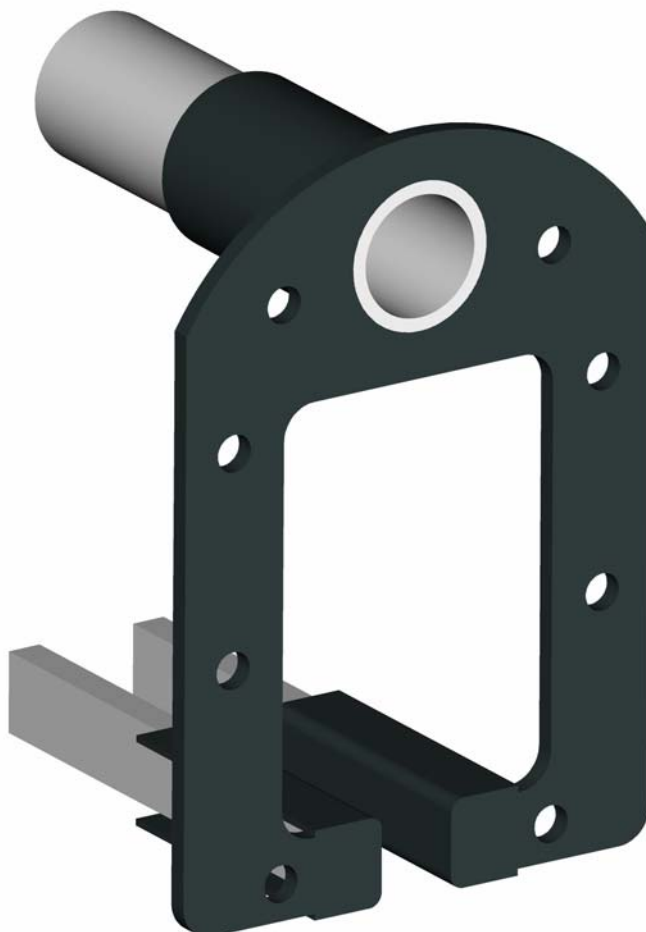


# T60 MODULAR CLIP



As an aid to site engineers everywhere, the T60 Modular Track Clip allows T60 track sections to be cut to length on site. The Modular Clip easily attaches to the cut end of a track section using an Anaerobic adhesive, as used in the building of the Lotus Elise and many other high-performance cars. The joining methods have been destruction tested to 50 x operational loading capacity, with only negligible deflection.

The adjusted track section can be used in any application- just like a standard section - even in the middle of a track assembly. Once attached the new track section will continue to have the same functionality and will be almost indistinguishable from an original track section.

The Modular Track Clip is a highly effective tool for anybody installing, altering or holding stock of the T60 Tracking system.