

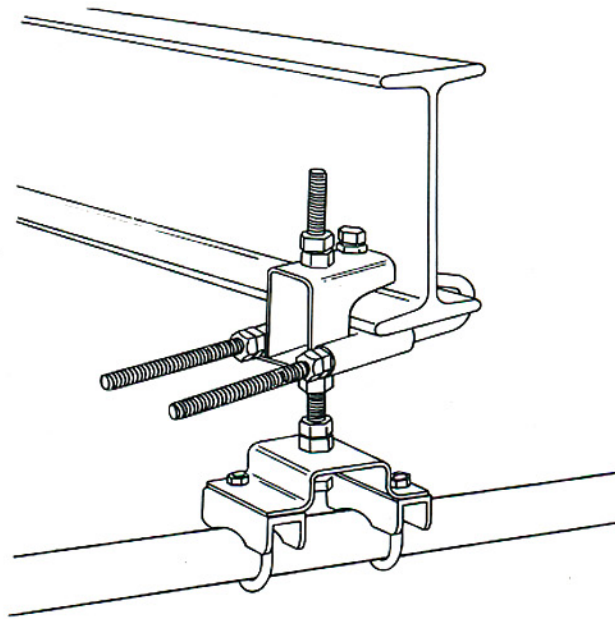
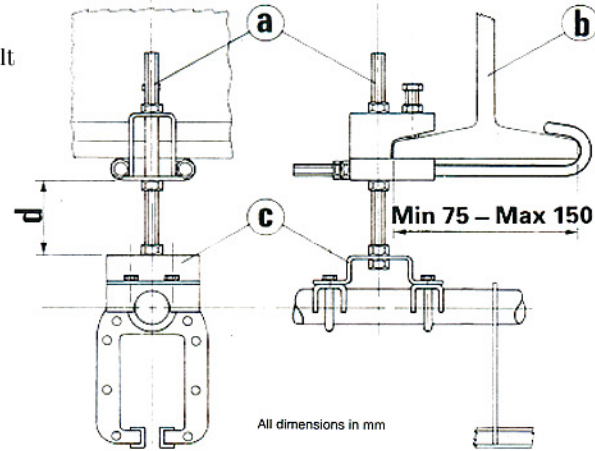
Hall Stage

PURVEYORS OF INNOVATIVE ENGINEERING SINCE 1898

Unit 4, Cosgrove Way, Luton, Beds, LU1 1XL
Tel : 0845 345 4255 Fax: 0845 345 4256
sales@hallstage.com www.hallstage.com

T60 Girder Fixing Clamp

- a) T60 M10 x 150mm Stud Bolt
- b) Steel I Beam
- c) T60 Universal Clamp
- d) Adjustment from 16mm to 66mm



Designed to clamp to any I beam flange between 75mm and 150mm wide while providing a secure suspension point for the T60 curtain track via an M10 stud (sold separately).

