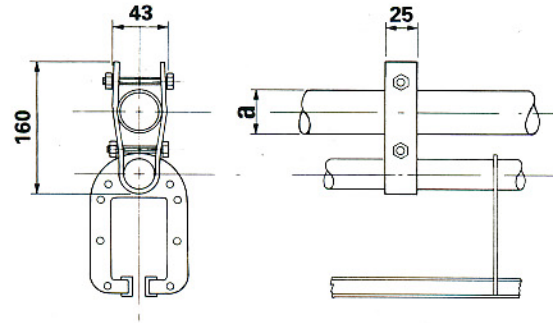


T60 Barrel Fixing Clips



A pressed steel clamp used to suspend T60 track below and parallel to a suitable barrel with a diameter of 38mm, 48mm or 60mm as standard.



All dimensions in mm

a) 38mm, 48mm or 60mm

