

T400 Mounting Details



Standard Fixing Arrangements

A standard range of suspension fittings are manufactured for use with the Compact T400 Track System. In most cases they allow for final curtain height adjustment, particularly useful where fabric is inclined to shrink or drop following cleaning.

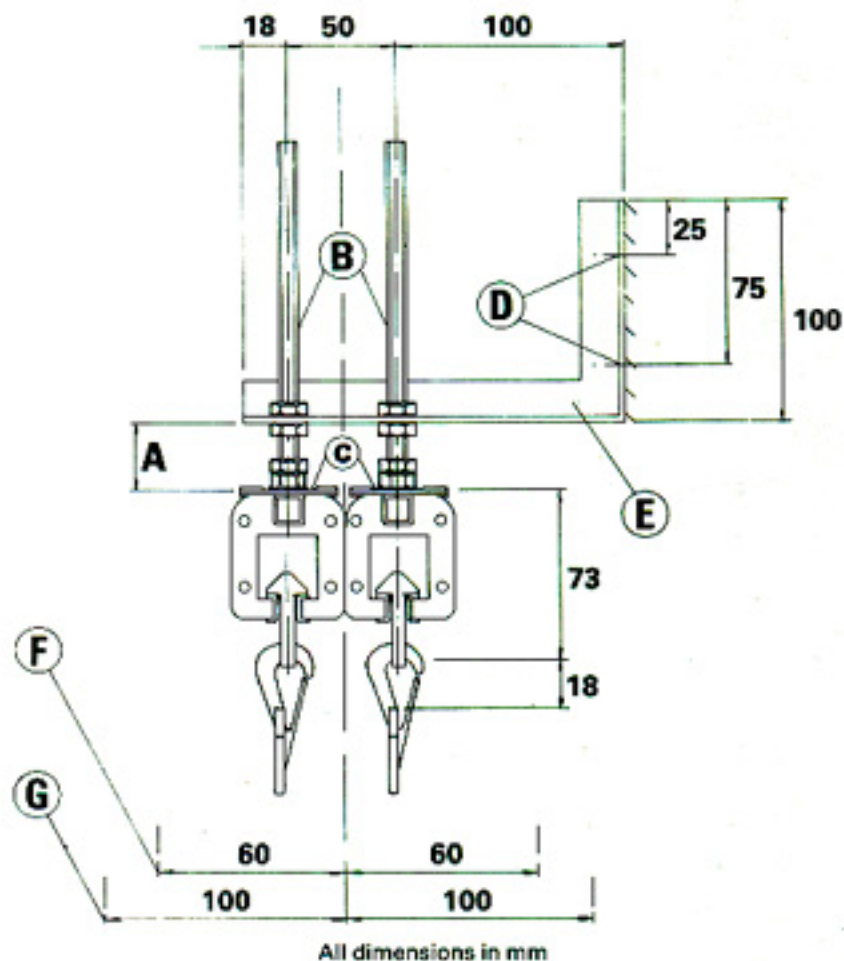
All suspension fittings should be spaced at intervals not exceeding 1.5 metre along the length of the track and 1.00 metre where the bunched curtain is stored.

Any fixing required which is not covered by our standard range can be easily fabricated to order.



T400 Mounting Details

- A) Degree of adjustment
Between 15mm - 130mm
- B) T400 M8 x 150mm Stud
- C) T400 Stud Fixing Saddle
- D) M8 Clearance Hole
- E) T400 Face Fixing Bracket
- F) Recommended Ceiling
Recess For Tracks
- G) Recommended Clearance
For Curtains



Hall Stage

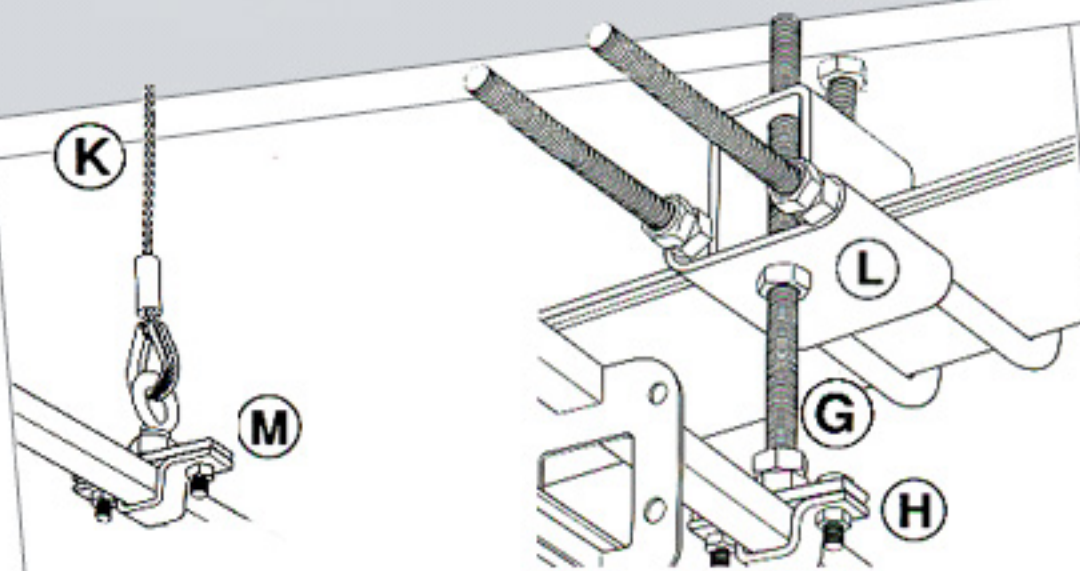
PURVEYORS OF INNOVATIVE ENGINEERING SINCE 1988

Unit 4, Cosgrove Way, Luton, Beds, LU1 1XL

Tel: 0845 345 4255 Fax: 0845 345 4256

sales@hallstage.com www.hallstage.com

T400 Mounting Details



- G) T400 M8 x 150mm Stud
- H) T400 Stud Fixing Saddle
- J) T400 Tube Fixing Clip
- K) 4mm 6/19 Steel Wire Rope
- L) T400 Girder Fixing Clamp
- M) T400 Dead Line Suspension Clip

