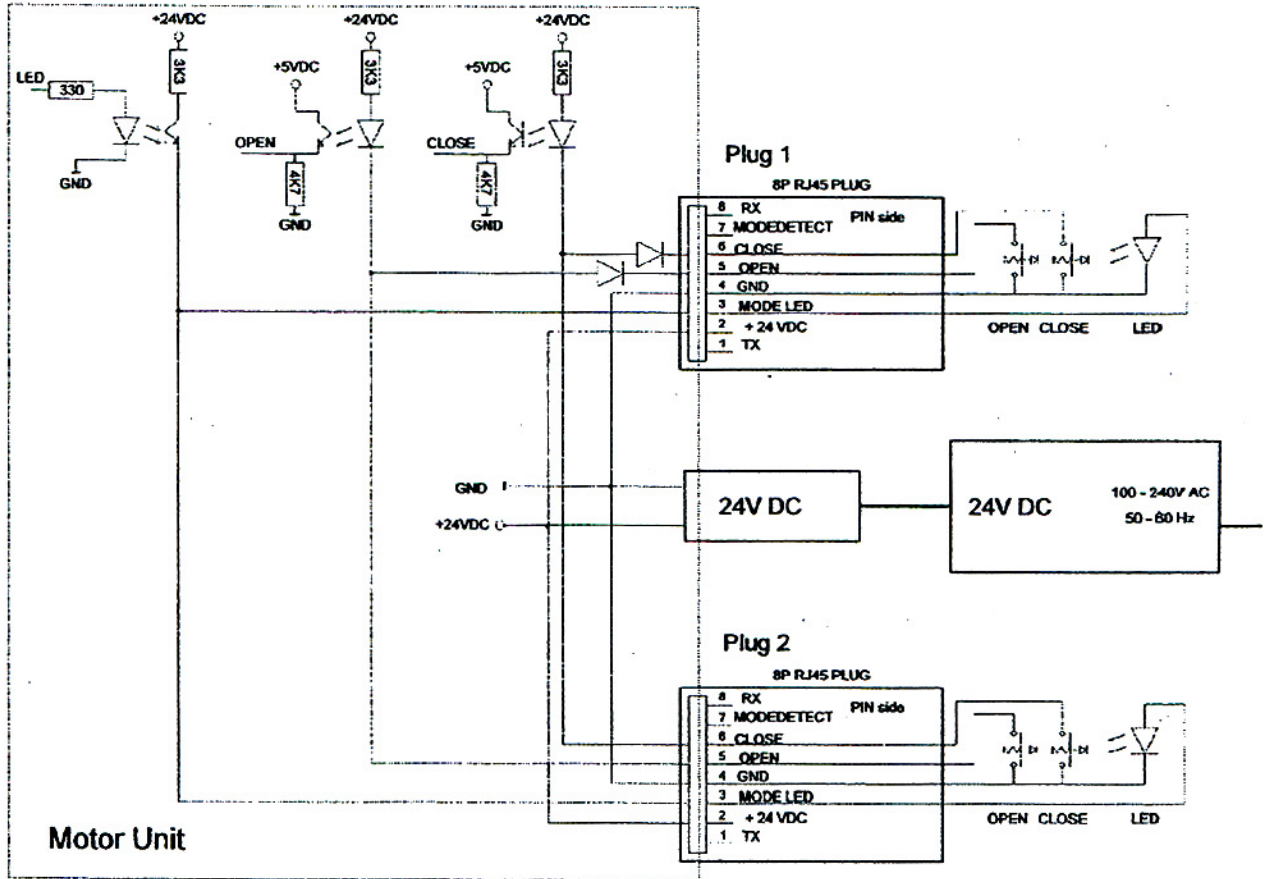


T300 Switching Wiring Diagram



1. Always use switches that generate a pulse of current (returns to its original position by spring).
2. If a home automation system is wired, it has to be time controlled. (let us know by ordering)
3. Switching current 2.7mA per motor unit.
4. Always switch in such way that the circuits are electrically separated. (potential-free switching)
5. Bouncing of the switching contacts should not exceed 0,09 sec.
6. Input voltage 24 VDC with a max. Voltage-deviation of 5 %.
7. The 24VDC outputload should not exceed 2,4 VA.
8. Contacts 1 and 8 should not be used.
9. Not complying with the demands means loss of guarantee.