

The following diagram shows a rear fold curtain track in operation. The cable is travelling in the direction of the arrow, and in this situation the curtain can be seen to be bunching on the left hand side. Principally the rear fold curtain track operates as follows.

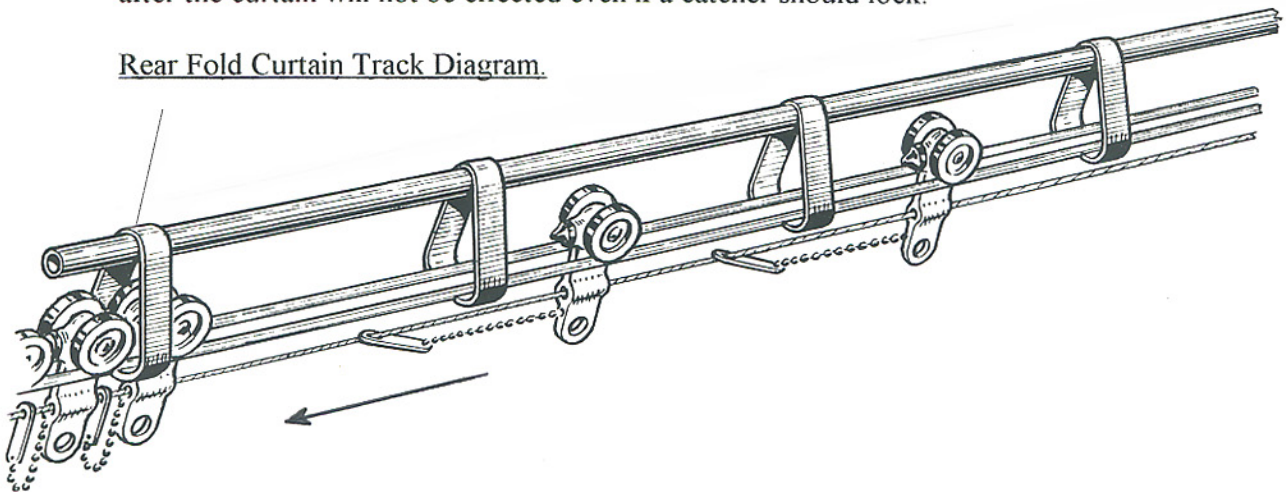
As can be seen from the diagram, each runner has a small length of chain and a cable catcher attached. The track is corded so the line runs through each runner. The cable catcher, due to a small clearance around the cable, will snag as the line tries to pass through and in doing so lock itself in position. This in turn will tilt the wheeled runner, consequently locking this also to the line. The runner and catcher will now firmly hold their place on the line until they reach the track stop.

The stop (not shown in this diagram) will push and hold the catcher into an upright position thus allowing the line to pass through freely. As the next runner meets the previous so it too is released from the cable and allowed to bunch. This process will continue until the master carrier has returned to its stacking position.

On opening, the rear fold track works exactly as a conventional curtain track. The master carrier leads the head of the curtain and each runner follows as it is dragged by the curtain.

The cable catchers will not lock on opening as the runner will be held in the upright due to the pulling motion of the curtain. Combined with this each chain is long enough to remain slack until the full bunch between runners has been pulled flat, where after the curtain will not be effected even if a catcher should lock.

Rear Fold Curtain Track Diagram.



The above information holds true irrespective of whether the track is cable operated (winch or electric) or threaded for hand line operation. This information is also applicable to overlapped curtain tracks.