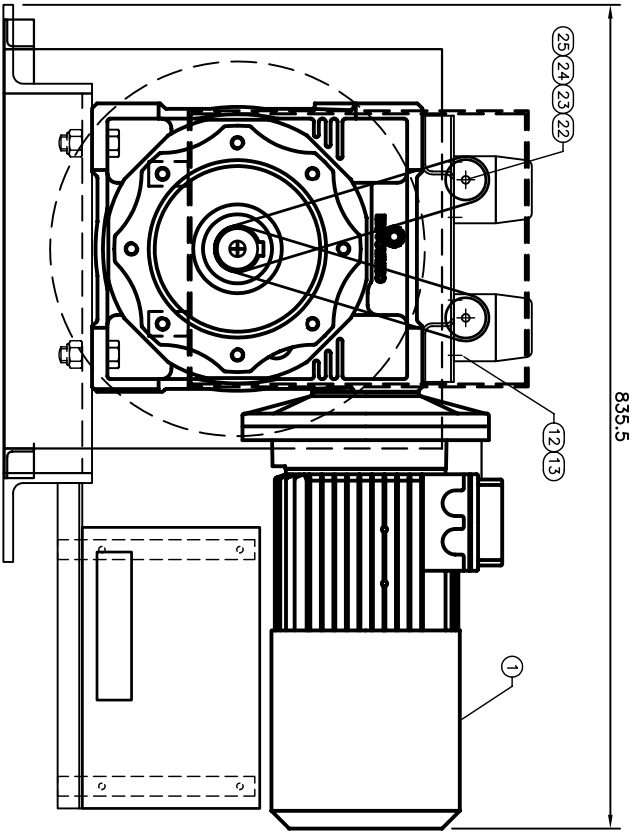
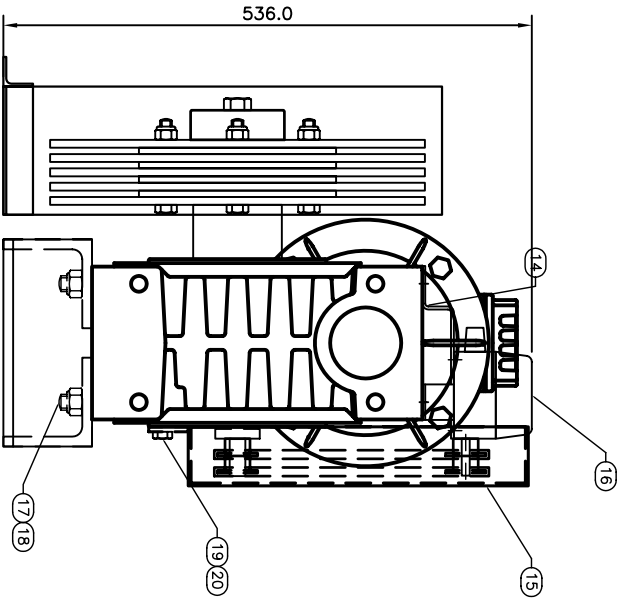
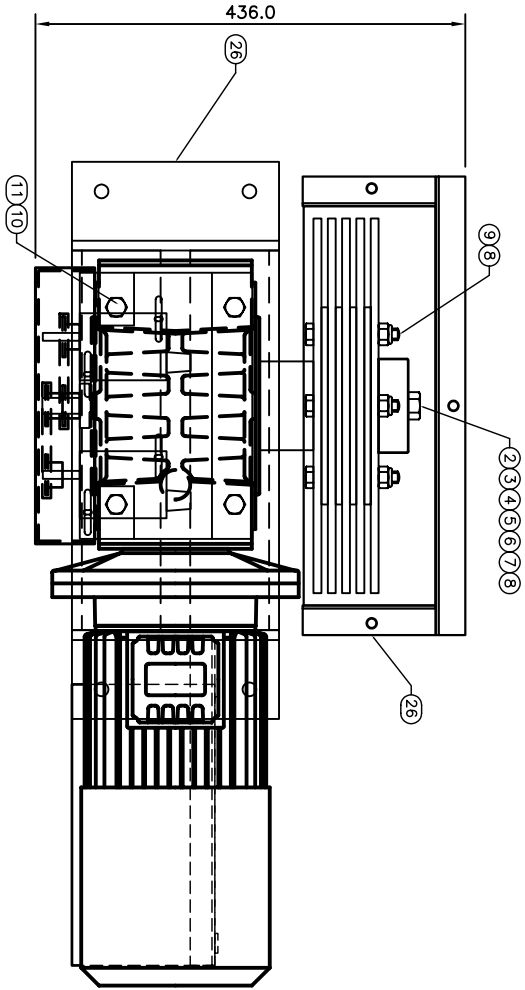


ITEM	PART No.	DESCRIPTION	QTY.
1.	MNRV-130/80	MOTOR GBOX MOTOVARIO	1
2.	62653-002	DRIVE SHAFT	1
3.	62653-008	END CAP	1
4.	M16 x 40	HEX. HEAD SET GRADE 8.8	1
5.	CX45	CIRCLIP EXTERNAL	1
6.	HSB0-8456	Ø380.0 x 8.0 THK. DISC	5
7.	HSB0-8455	Ø150.0 x 6.5 THK. DISC	4
8.	M16 x 50	HEX. HEAD SET GRADE 8.8	1
9.	M12 x 85	HEX. HEAD SET GRADE 8.8	4
10.	M12 x 45	HEX. HEAD SET GRADE 8.8	4
11.	M12	NYLOC. NUT	8
12.	M5 x 20	PAN HEAD SCREW	4
13.	M5	NYLOC. NUT	4
14.	62653-004	LIMIT MOUNT BRACKET	1
15.	62653-005	LIMIT CHAIN COVER	1
16.		TER. TYPE MF2C 25:1 RATIO DOUBLE LIMIT SWITCH	2
17.	M16 x 50	HEX. HEAD SET GRADE 8.8	4
18.	M16	NYLOC. NUT	4
19.	M10 x 20	HEX. HEAD SET GRADE 8.8	2
20.	M10	SPRING WASHER	2
21.	HSB0-8479	Ø40.0 CABLE END STOP	3
22.	GM6-10	M6x10 HEX.SOCKET GRUB SCREW TOOTH x 16mm WIDE	4
23.	S 8-15	CHAIN SPROCKET TYPE-S 15	4
24.	SBR-8	IND. STD. CHAIN 8mm PITCH	2
25.	62653-006	CHAIN LINK 8mm PITCH	2
26.	62653-007	BASE	1
27.	62653-007	DISC COVER	1



MOD. ISSUE SPEC.		A / MAT'L.		DRNG DATE 11.04.05		TITLE ASSEMBLY: PILEWIND HOIST UNIT - 500KG	
(1,4)		APPD CHD		DRG NO 62653-001		ISSUE A	