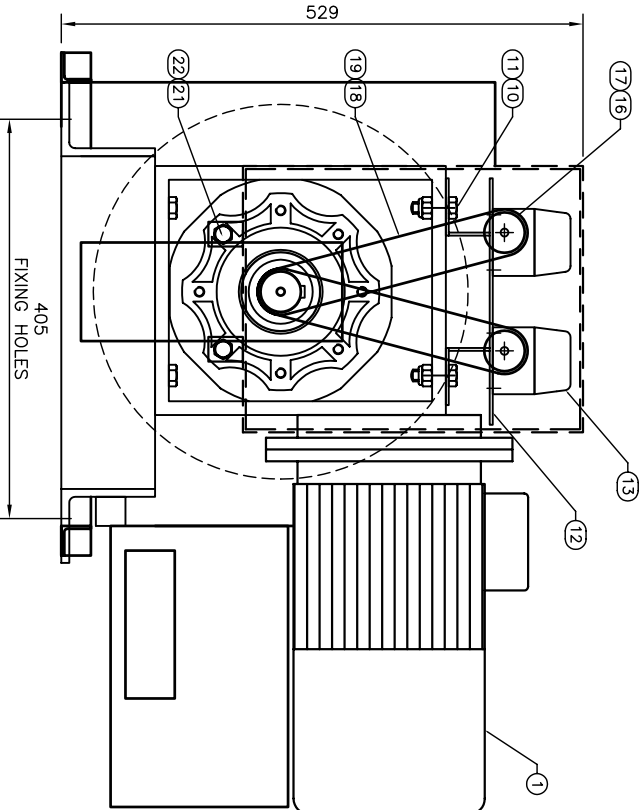
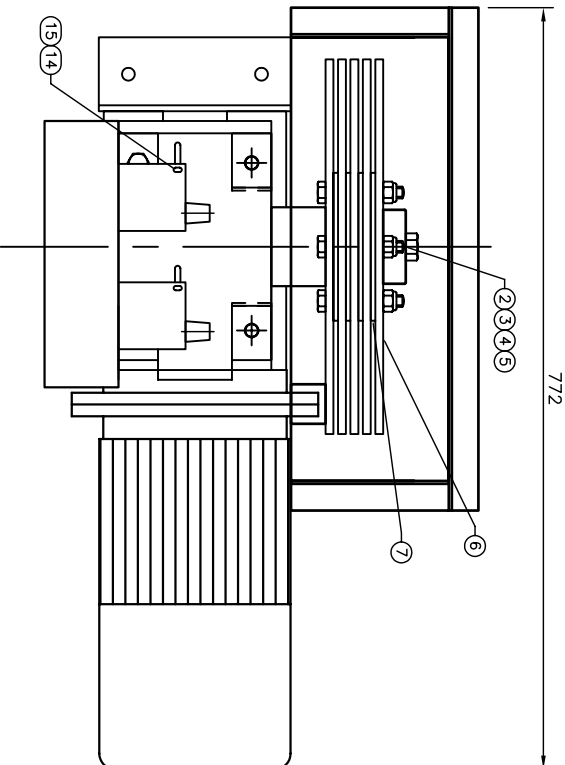
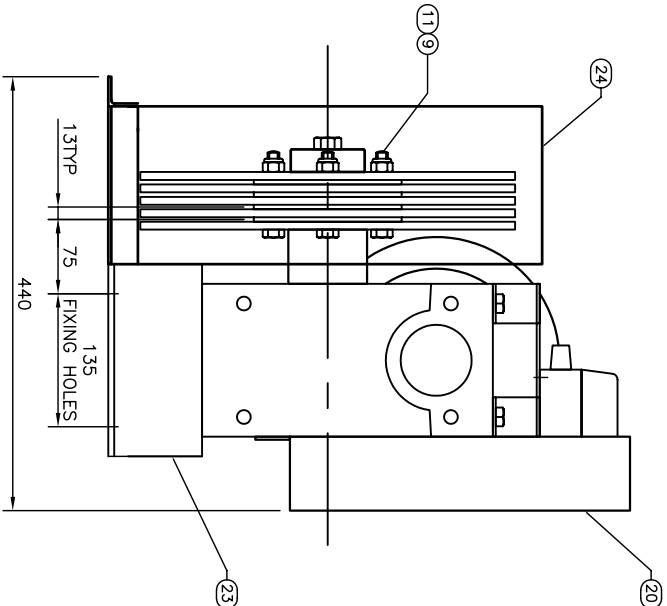


ITEM	PART No.	DESCRIPTION	QTY.
1.	GM 110 U	G.BOX + 1.5kw MOTOR	1
2.	476-011	DRIVE SHAFT	1
3.	476-013	END CAP	1
4.	M16 x 45	HEX. HEAD SET GRADE 8.8	1
5.	CX42	CIRCLIP EXTERNAL	1
6.	476-008	Ø380.0 x 8.0 THK. DISC	5
7.	476-007	Ø150.0 x 4.6 THK. DISC	4
8.	476-014	CABLE END STOP	6
9.	M12 x 90	HEX. HEAD SET GRADE 8.8	4
10.	M12 x 45	HEX. HEAD SET GRADE 8.8	8
11.	M12	NYLOC. NUT	12
12.	476-009	LIMIT MOUNT BRACKET	1
13.		T.E.R. TYPE MF2C 25:1 RATIO DOUBLE LIMIT SWITCH	2
14.	M5 x 20	PAN HEAD SCREW	4
15.	M5	NYLOC. NUT	4
16.	S 8-15	CHAIN SPROCKET TYPE-S 15 TOOTH x 16mm WIDE	4
17.	GM6-10	M6x10. HEX.SOCKET GRUB SCREW	4
18.	SBR-8	IND. STD. CHAIN 8mm PITCH	2
19.		CHAIN LINK 8mm PITCH	2
20.	476-010	LIMIT CHAIN COVER	1
21.	M10 x 20	HEX. HEAD SET GRADE 8.8	2
22.	M10	FORM A WASHER	2
23.	476-015	BASE	1
24.	476-016	DISC COVER	1
25.			1



MOD	ISSUE	SPEC.	DATE	DRG NO	ISSUE
	A	MAT'L:	9.01.06	476-004	A

DRGSDA
 TITLE ASSEMBLY:
 PILEWIND HOIST UNIT
 350KG SAFE WORKING LOAD
 4 LINE - 4.0mm S.W.R.