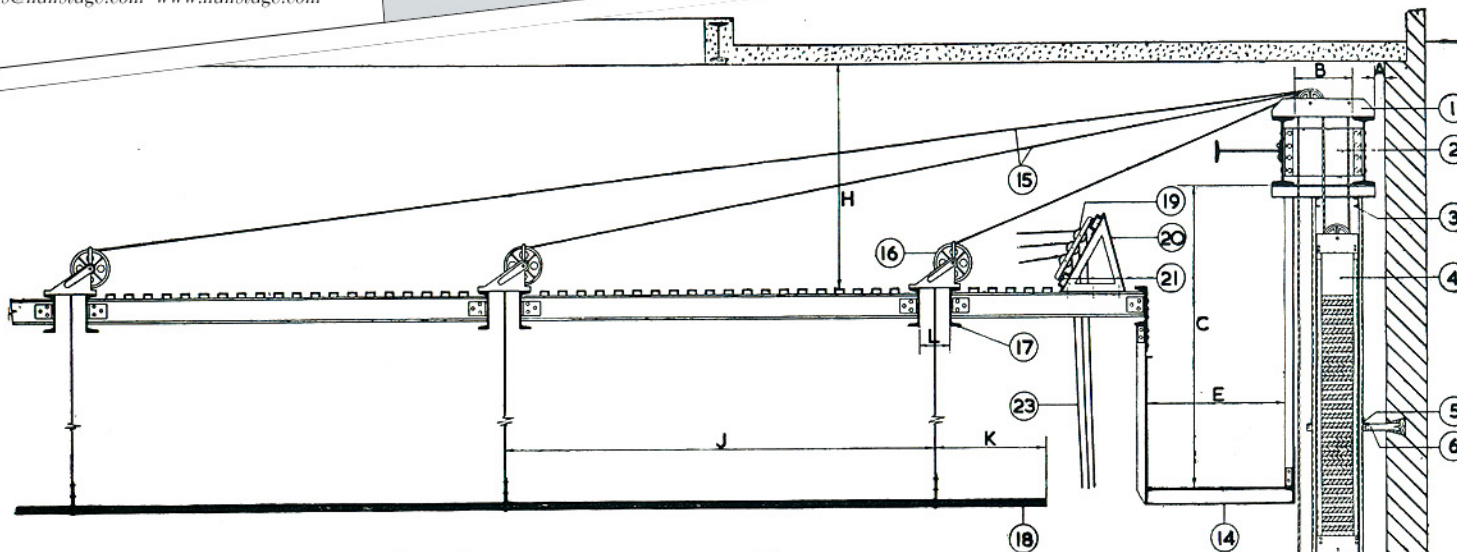


## Counterweight Layout - Double Purchase



## Double Purchase

- 1 Head Pulley
- 2 Head Joists
- 3 Top Stop Channels
- 4 Weight Cradle
- 5 Spacing Bar
- 6 Caulking Bracket
- 7 Guide Channel
- 8 Bottom Rope Return Pulley
- 9 Bottom Stop Channels
- 10 Fly Gallery
- 11 Rope Brake Rail
- 12 Rope Brake

**NOTE:** The hauling rope locks (No. 12) may be mounted for operation at stage level if required.

